

Figure 27. Special relay. (sheet 1 of 3)

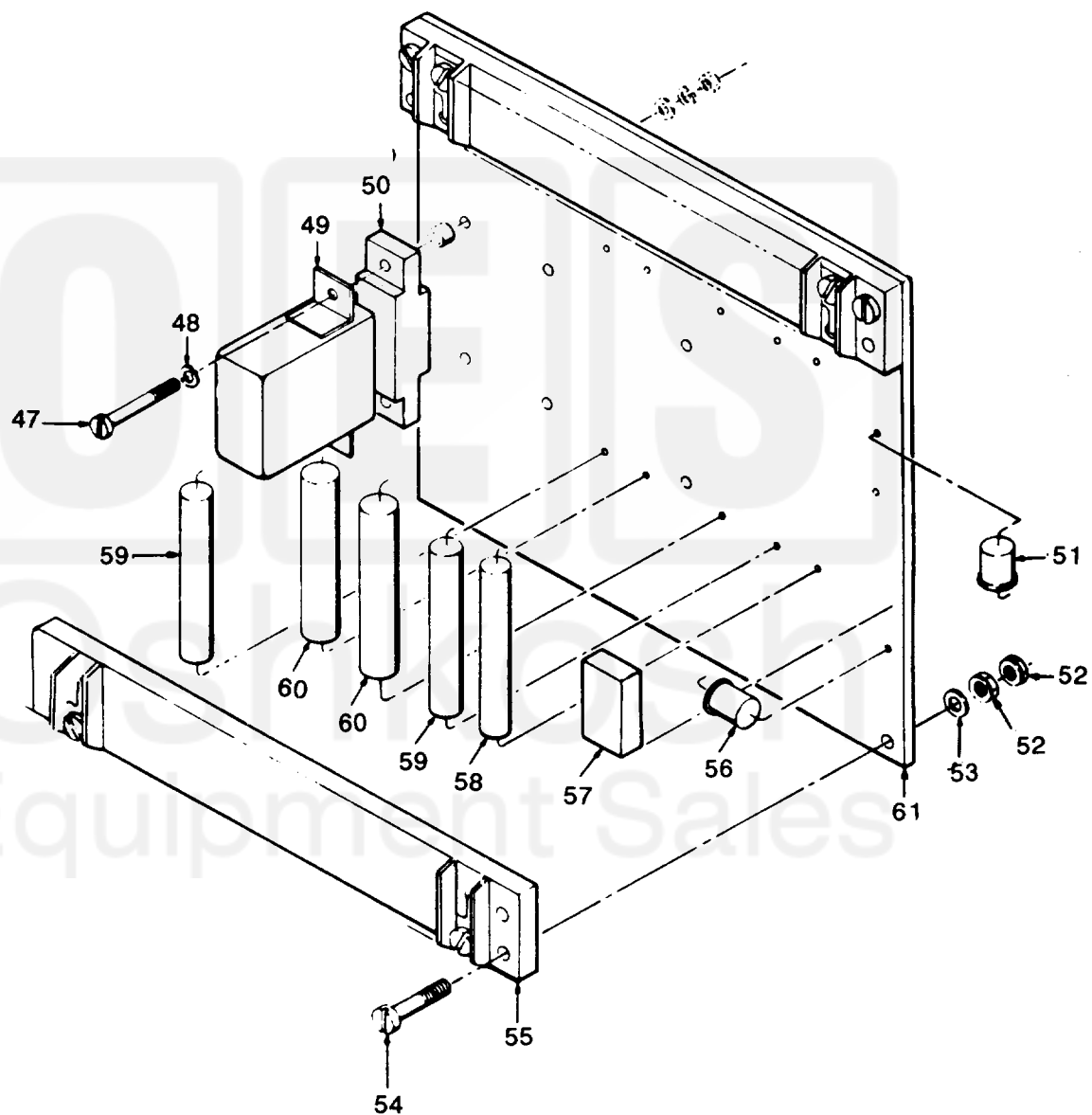


Figure 27. Special relay. (sheet 2 of 3)

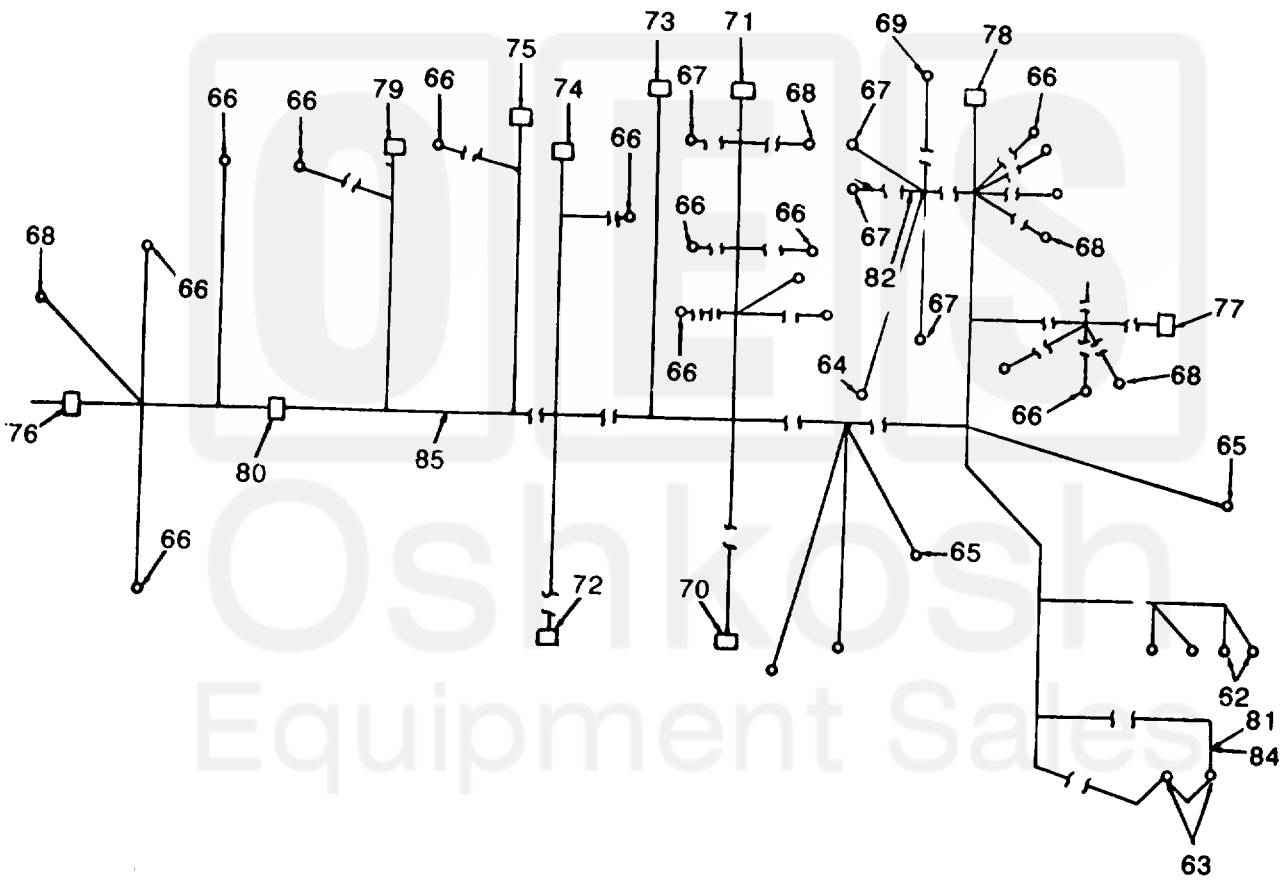


Figure 27, Special relay. (sheet 3 of 3)

TWS-6115-465-24P
 NAVFAC P-8-625-24P
 SL-4-06858B/06859D

(1) ILLUSTRATION A FIG. NO.	(2) SMR CODE B ITEM NO.	(3) A ARMY	(3) B AIR FORCE	(3) C NAVY	(3) D USMC	(3) E SSI	(4) NATIONAL STOCK NUMBER	(5) DESCRIPTION REF NUMBER & MFR CODE	(6) USABLE ON CODE U/M	(7) QTY INC IN UNITS	(8) USMC QTY PER EQUIP
27	1	PAFZZ	PAOZZ	PAGZZ	PAFZZ	D	.008 5305-00-068-0500	SCREW,CAP MS90725-3 96906	CLA,CLB CLC,DGG	EA	6 179
27	2	PAFZZ	PAOZZ		PAFZZ	D	.008 5305-00-068-0502	SCREW,CAP,HEXAGON HEAD MS90725-6 96906	CZM,CZN	EA	3 73
27	3	PAFZZ	PAOZZ	PAGZZ	PAFZZ	D	.010 5310-00-582-5965	WASHER,LOCK:RELAY ASSEMBLY MTG MS35338-44 96906		EA	6 256
27	4	PAFZZ	PAOZZ	PAGZZ	PAFZZ	D	.010 5310-00-823-8804	WASHER,FLAT:RELAY ASSEMBLY MTG MS27183-9 96906		EA	6 45
27	5	PAFZZ	PAOZZ		PAFZZ	D	.010 5310-00-067-6357	WASHER,LOCK MS45904-69 96906	CZM,CZN	EA	6 50
27		PBFHH	PBOFF	PAGGG	PAFZZ		.700 6115-00-564-0074	RELAY ASSEMBLY:SPECIAL 72-2232 30554 30554-72-2232 36024		EA	1 1
27	6	PAFZZ	PAOZZ	PAGZZ	PAFZZ	D	.008 5305-00-191-6226	SCREW,WASHER 69-662-64 30554 P15121-64 45722		EA	2 42
27	7	XBFZZ	XA	XBGZZ	XBFZZ			COVER,RELAY BOX 72-2233 30554 30554-72-2233 36024		EA	1 1
27	8	PAFZZ	PAOZZ	PAGZZ	PAFZZ		.036 5905-01-021-9133	RESISTOR,VARIABLE 75-0851 30554 RP0025-2120GBA 24681		EA	1 1
27	9	PAFZZ	PAOZZ	PAGZZ	PAFZZ	D	.008 5310-00-052-3632	NUT,WASHER 69-561-3 30554 511-061800-00 78189		EA	4 54
27	10	PAFZZ	PAOZZ	PAGZZ	PAFZZ	D	.010 5310-00-809-8544	WASHER,FLAT MS27183-7 96906		EA	2 17
27	11	PAFZZ	PAOZZ	PAGZZ	PAFZZ	D	.008 5305-00-984-6193	SCREW,MACHINE:GROUND MS35206-245 96906		EA	2 17
27	12	PAFZZ	PAOZZ	PAGZZ	PAFZZ	D	.008 5310-00-934-9739	NUT,PLAIN,HEXAGON MS35649-242 96906		EA	4 39
27	13	PAFZZ	PAOZZ	PAGZZ	PAFZZ	D	.008 5305-00-038-3089	SCREW,WASHER 69-662-3 30554 P15121-3 45722		EA	1 32
27	14	PAFZZ	PAOZZ	PAGZZ	PAFZZ	D	.008 5310-00-934-9739	NUT,PLAIN,HEXAGON MS35649-242 96906		EA	1 39
27	15	PAFZZ	PAOZZ	PAGZZ	PAFZZ	D	.008 5305-00-038-3089	SCREW,WASHER 69-662-3 30554 P15121-3 45722		EA	1 32
27	16	PAFZZ	PAOZZ	PAGZZ	PAFZZ	D	.008 5305-00-036-6968	SCREW,WASHER 69-662-18 30554 P15121-18 45772		EA	4 67
27	17	PAFZZ	PAOZZ	PAGZZ	PAFZZ	D	.008 5310-00-934-9747	NUT,HEXAGON MS35649-262 96906		EA	4 76
27	18	MFFZZ	PAOZZ	MFFZZ	MFFZZ	D	.023	PLUG,CHAIN ASSEMBLY 72-2241 30554 30554-72-2241 36024 MANUFACTURE FROM:		EA	1 1
27	19	PAFZZ	PAOZZ	PBFZZ	PAFZZ			CHAIN RRC271TYPE2CLASS7B 81348	FT	V	V



TWS-6115-465-24P
 NAVFAC P-8-625-24P
 SL-4-06858B/06859D

(1) ILLUSTRATION A FIG. NO.	(2) SMR CODE B AIR FORCE	(3) C NAVY	(4) D USMC	(5) A SSI	(6) B REPL FACTOR	(7) NATIONAL STOCK NUMBER	(8) DESCRIPTION REF NUMBER & MFR CODE	(9) USABLE ON CODE	(10) U/M	(11) QTY INC IN UNITS	(12) USMC QTY PER EQUIP
27	20	PAFZZ	PAOZZ	PAGZZ	PAFZZ		6145-00-578-6605 WIRE,ELECTRICAL QQW343TYPES16AWG 81348		FT	V	V
27	21	PAFZZ	PAOZZ	PAGZZ	PAFZZ		5935-00-845-1349 CONNECTOR,PLUG MS3106R24-28P 96906		EA	1	1
27	22	XBFZZ	PAOZZ	XBGZZ	PAFZZ	D	.005 5935-00-137-4670 COVER,CONNECTOR MS25043-22D 96906		EA	1	1
27	23	XBFZZ	PAOZZ	XBGZZ	PAFZZ	D	.008 5935-00-500-5008 COVER,CONNECTOR MS25043-18D 96906		EA	1	4
27	24	PAFZZ	PAOZZ	PAGZZ	PAFZZ	D	.008 5310-00-934-9747 NUT,PLAIN,HEXAGON:BRACKET ASSEMBLY MS35649-262 96906		EA	2	39
27	25	PAFZZ	PAOZZ		PAFZZ	D	.010 5310-00-082-1404 WASHER,FLAT:BRACKET MTG MS27183-6 96906	CZN,CZM	EA	2	18
27	26	PAFZZ	PAOZZ	PAGZZ	PAFZZ	D	.008 5305-00-036-6968 SCREW,WASHER:BRACKET MTG 69-662-18 30554 P15121-18 45722		EA	2	32
27	27	XBFZZ	PAOZZ	XBGZZ	XBGZZ		5905-00-860-6276 BRACKET,RESISTOR MS75009-33 96906		EA	2	4
27	28	PAFZZ	PAOZZ	PAGZZ	PAFZZ		.040 5905-00-642-1955 RESISTOR,FIXED RW33V100 81349		EA	1	1
27	29	PAFZZ	PAOZZ	PAGZZ	PAFZZ		.040 5905-00-805-8471 RESISTOR,FIXED RW33V300 81349		EA	1	1
27	30	PAFZZ	PAOZZ	PAGZZ	PAFZZ	D	.008 5310-00-063-7360 NUT,WASHER:TERMINAL BOARD MTG 69-561-2 30554 511-061800-00 78189		EA	4	51
27	31	PAFZZ	PAOZZ	PAGZZ	PAFZZ	D	.008 5305-00-889-3001 SCREW,MACHINE:TERMINAL BOARD MTG MS35206-231 96906		EA	4	12
27	32	XBFZZ	XB	XBGZZ	XBFZZ		5940-00-983-6096 TERMINAL BOARD 38TB20 81349		EA	2	2
27	33	XBFZZ	XB	XBGZZ	XBFZZ		5940-00-578-3482 JUMPER,TERMINAL BOARD 69-651-2 30554 601J 75382		EA	6	6
27	34	PAFZZ	PAOZZ	PAGZZ	PAFZZ	D	.006 5310-00-052-3632 NUT,WASHER:TRANSFORMER MTG 69-561-3 30554 511-081800-00 78189		EA	2	54
27	35	PAFZZ	PAOZZ	PAGZZ	PAFZZ	D	.008 5305-00-984-6191 SCREW,MACHINE:TRANSFORMER MTG MS35206-243 96906		EA	2	2
27	36	PAFZZ	PAOZZ	PAGZZ	PAFZZ		.040 5950-00-601-6296 TRANSFORMER 72-2204 30554 30554-72-2204 36024		EA	1	1
27	37	PAFZZ	PAOZZ	PAGZZ	PAFZZ	D	.010 5310-00-809-8544 NUT,WASHER:SHUNT MTG MS27183-7 96906		EA	2	17
27	38	PAFZZ	PAOZZ	PAGZZ	PAFZZ	D	.008 5305-00-984-6194 SCREW,MACHINE:SHUNT MTG MS35206-246 96906		EA	2	6
27	39	PAFZZ	PAOZZ	PAGZZ	PAFZZ	D	.008 6625-00-892-4342 SHUNT,INSTRUMENT MSA200 81349		EA	1	1
27	40	PAFZZ	PAOZZ	PAGZZ	PAFZZ	D	.008 5310-00-052-3632 NUT AND CAPTIVE WASHER:RELAY MTG 69-561-3 30554 511-01800-00 78189		EA	2	109



TWS-6115-465-24P
 NAVFAC P-8-625-24P
 SL-4-06858B/06859D

(1) ILLUSTRATION A	(2) SMR CODE A	(3) B	(4) NATIONAL STOCK NUMBER	(5) DESCRIPTION	(6) USABLE ON CODE	(7) QTY INC IN UNITS	(8) USMC QTY PER EQUIP
FIG. NO.	ITEM NO.	ARMY AIR FORCE NAVY USMC SSI	REPL FACTOR	REF NUMBER & MFR CODE	U/M		
27	41	PAFZZ PAOZZ PAGZZ PAFZZ D	.008	5305-00-984-6191 SCREW,CAP,HEXAGON HEAD:RELAY MS35206-24 96906	EA	2	179
27	42	PAFZZ PAOZZ PAGZZ	.050	5945-00-686-6877 RELAY,CRANKING MS24166-D1 96906	EA	Q	Q
27	43	XAFZZ XA XBGZZ XBFZZ		CHASSIS,RELAY 72-2235 30554 30554-72-2235 36024	EA	1	1
27	44	PAFZZ PAOZZ PAGZZ PAFZZ D	.008	5310-00-063-7360 NUT,WASHER:RELAY MTG 69-561-2 30554 5111-061800-00 78189	EA	4	51
27	45	PAFZZ PAOZZ PAGZZ PAFZZ D	.008	5305-00-038-3089 SCREW,WASHER:RELAY MTG 69-662-3 30554 P15121-3 45722	EA	4	32
27	46	PAFZZ AOO PAHHH PAFFF	.800	6110-00-201-6015 RELAY,ASSEMBLY:DC 69-768 30554 30554-69-768 36024	EA	1	1
27	47	PAFZZ PAOZZ PAGZZ PAFZZ D	.008	5305-00-984-4982 SCREW,MACHINE:RELAY MTG MS35206-225 96906	EA	6	12
27	48	PAFZZ PAOZZ PAGZZ PAFZZ D	.010	5310-00-045-4007 WASHER,LOCK:RELAY MTG MS35338-41 96906	EA	8	41
27	49	PAFZZ PAOZZ PAHZZ PAFZZ	.050	5945-00-435-1833 RELAY M5757-23-003 81349	EA	3	6
27	50	XBFZZ XB XBGZZ PAFZZ	.050	5935-00-206-1400 SOCKET,RELAY 69-658 30554 VB8-1FALL-80 05574	EA	3	5
27	51	PAFZZ PAOZZ PAGZZ PAFZZ	.050	5961-00-042-8637 RECTIFIER 69-741 30554 JANTXIN5616 81349	EA	1	1
27	52	PAFZZ PAOZZ PAGZZ PAFZZ D	.008	5310-00-063-7360 NUT,WASHER:TERMINAL BOARD MTG 69-561-2 30554 511-061800-00 78189	EA	8	51
27	53	PAFZZ PAOZZ PAGZZ PAFZZ D	.010	5310-00-983-8483 WASHER,FLAT:TERMINAL BOARD MTG MS27183-5 96906	EA	4	4
27	54	XBFZZ XB XBGZZ PAFZZ D	.008	5305-00-984-6221 SCREW,MACHINE:TERMINAL BOARD MTG M35206-234 96906	EA	4	4
27	55	XBFZZ XB XBGZZ PAFZZ		5940-00-983-6093 TERMINAL BOARD 40TB12 81349	EA	2	2
27	56	PAFZZ PAOZZ PAGZZ PAFZZ	.050	5981-00-702-5763 RECTIFIER 69-740 30554 IN4722 80131	EA	2	2
27	57	PAFZZ PAOZZ PAGZZ PAFZZ	.040	5961-00-135-6168 RECTIFIER 69-739 30554 B598-40 06288	EA	1	2
27	58	PAFZZ PAOZZ PAGZZ PAFZZ	.040	5905-00-357-3093 RESISTOR,FIXED RWR78S1501FR 81349	EA	1	1
27	59	PAFZZ PAOZZ PAGZZ PAFZZ	.040	5905-00-448-5539 RESISTOR,FIXED RWR78S2671FR 81349	EA	2	2
27	60	PAFZZ PAOZZ PAGZZ PAFZZ	.040	5905-00-879-1163 RESISTOR,FIXED RW56V512 81349	EA	2	2



TWS-6115-465-24P
 NAVFAC P-8-625-24P
 SL-4-06858B/06859D

(1) ILLUSTRATION A FIG. NO.	(2) SMR CODE A B ARMY AIR FORCE	(3) C D NAVY USMC SSI	(4) NATIONAL STOCK NUMBER	(5) DESCRIPTION REF NUMBER & MFR CODE	(6) USABLE ON CODE U/M	(7) QTY INC IN UNITS	(8) USMC QTY PER EQUIP
27	61	XAFZZ XB	XBFZZ XBFZZ	CIRCUIT BOARD 69-767 30554 30554-69-767 36024	EA	1	1
27		MFFFF PBOZZ	AGGGG APFZZ	6115-00-610-2116 WIRING HARNESS:SPECIAL RELAY BOX 72-2239 30554 30554-73-2239 36024 MANUFACTURE FROM:	EA	1	1
27	62	PAFZZ PAOZZ	PAGZZ PAFZZ D .050	5940-00-825-5041 TERMINAL LUG MS17143-6 96906	EA	4	4
27	63	PAFZZ PAOZZ	PAGZZ PAFZZ D .050	5940-00-283-5280 TERMINAL,LUG MS25036-106 96906	EA	4	46
27	64	PAFZZ PAOZZ	PAGZZ PAFZZ D .050	5940-00-143-4794 TERMINAL,LUG MS25036-112 96906	EA	2	3
27	65	PAFZZ PAOZZ	PAGZZ PAFZZ D .050	5940-00-204-8966 TERMINAL,LUG MS25036-102 96906	EA	117	294
27	66	PAFZZ PAOZZ	PAGZZ PAFZZ D .050	5940-00-557-1629 TERMINAL,LUG MS25036-149 96906	EA	5	26
27	67	PAFZZ PAOZZ	PAGZZ PAFZZ D .050	5940-00-143-4777 TERMINAL,LUG MS25036-157 96906	EA	4	6
27	68	PAFZZ PAOZZ	XBGZZ PAFZZ D .050	5340-00-143-4775 TERMINAL,LUG MS25036-156 96906	EA	5	9
27	69	PAFZZ PAOZZ	XBGZZ PAFZZ D .050	5940-00-143-4780 TERMINAL,LUG MS25036-108 96906	EA	2	6
27	70	PAFZZ PAOZZ	PAGZZ PAFZZ D .023	5935-00-801-6620 CONNECTOR,RECEPTACLE MS3102R1486S 96906	EA	1	1
27	71	PAFZZ PAOZZ	PAGZZ PAFZZ D .023	5935-00-842-6316 CONNECTOR,RECEPTACLE MS3102R18-11SC 96906	EA	1	1
27	72	PAFZZ PAOZZ	PAGZZ PAFZZ D .023	5935-00-801-6621 CONNECTOR,RECEPTACLE MS3102R20-27S 96906	EA	1	1
27	73	PAFZZ PAOZZ	PAGZZ PAFZZ D .023	5935-00-755-3494 CONNECTOR,RECEPTACLE MS3102R20-29S 96906	EA	1	1
27	74	PAFZZ PAOZZ	PAGZZ PAFZZ D .023	5935-00-082-0567 CONNECTOR,RECEPTACLE MS3102R22-19S 96906	EA	1	1
27	75	PAFZZ PAOZZ	PAGZZ PAFZZ D .023	5935-00-721-0501 CONNECTOR,RECEPTACLE MS3102R24-28S 96906	EA	1	1
27	76	PAFZZ PAOZZ	PAGZZ PAFZZ D .023	5935-00-432-8607 CONNECTOR,RECEPTACLE MS3102R28-12S 96906	EA	1	1
27	77	PAFZZ PAOZZ	PAGZZ PAFZZ D .023	5935-00-726-8317 CONNECTOR,RECEPTACLE MS3102R32-7P 96906	EA	1	1
27	78	PAFZZ PAOZZ	PAGZZ PAFZZ D .023	5935-00-844-4467 CONNECTOR,RECEPTACLE 69-661-14 30554	EA	1	1
27	79	PAFZZ PAOZZ	PAGZZ PAFZZ D .023	5935-00-824-7883 CONNECTOR,RECEPTACLE MS3102R36-7S 96906	EA	1	1
27	80	PAFZZ PAOZZ	PAGZZ PAFZZ D .008	5875-00-111-3208 STRAP,CABLE MS3367-5-9 96906	EA	V	32
27	81	PAFZZ PAOZZ	PAFZZ D .008	5970-00-954-1622 INSULATION,SLEEVING M23053/5-105-0 30554	CZN,CZM FT	12	1



Current part is item (42) on diagram. Available at www.oshkoshequipment.com

TWS-6115-465-24P
 NAVFAC P-8-625-24P
 SL-4-06858B/06859D

(1) ILLUSTRATION A	(2) SMR CODE A	(3) B	(4) NATIONAL STOCK NUMBER	(5) DESCRIPTION	(6) USABLE ON CODE	(7) QTY INC IN UNITS	(8) USMC QTY PER EQUIP
FIG. NO.	ITEM NO.	ARMY AIR FORCE NAVY USMC SSI	REPL FACTOR	REF NUMBER & MFR CODE	U/M		
27	82	XBFZZ PAOZZ XBGZZ XBFZZ		5970-00-543-1098 INSULATION, TUBING MIL1631TYPEFORMULA 12AWG 81349	FT	12	12
27	83	PAFZZ PAOZZ PAGZZ PAFZZ D	.080	6145-00-578-7514 WIRE, ELECTRICAL M5086/2-16-9 81349	FT		
27	84	PAFZZ PAOZZ PAGZZ PAFZZ D	.080	6145-00-578-6605 WIRE, ELECTRICAL M5086/2-16-9 81349	FT	V	
27	85	PAFZZ PAOZZ PAGZZ PAFZZ D	.080	6145-00-578-6605 WIRE, ELECTRICAL M5086/2-18-9 81349	FT	V	



Current part is item (42) on diagram. Available at www.oshkoshequipment.com